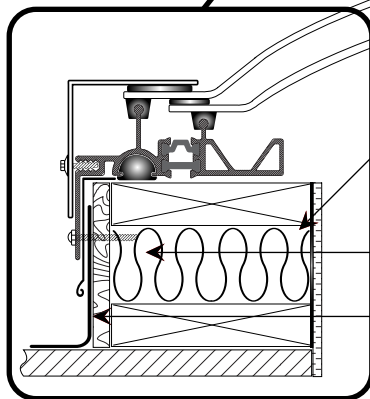
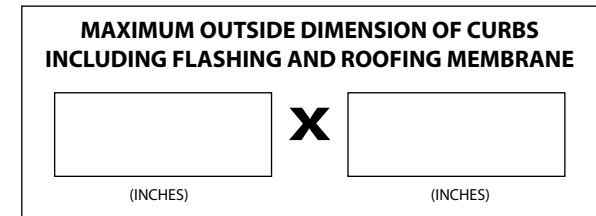
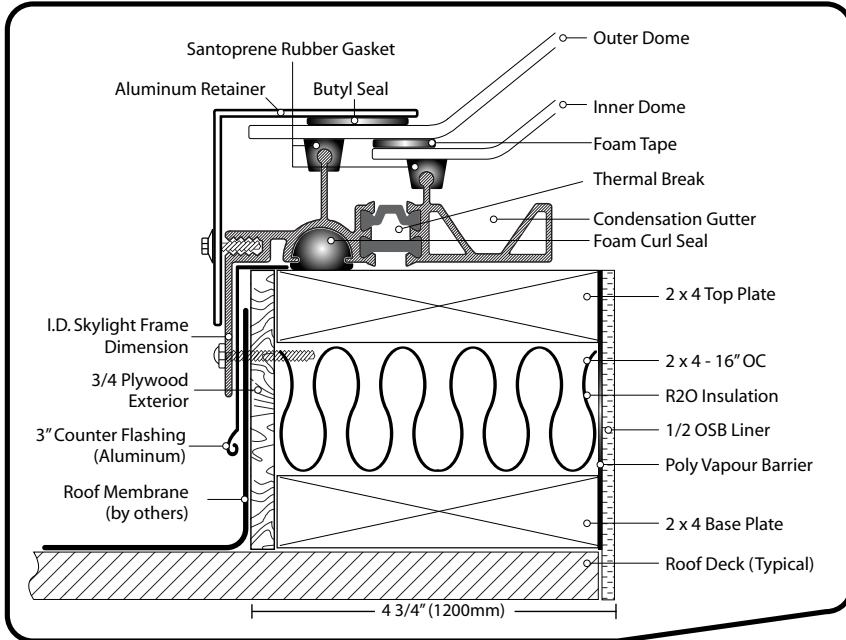


### Standard 2 x 4 WALL CONSTRUCTION

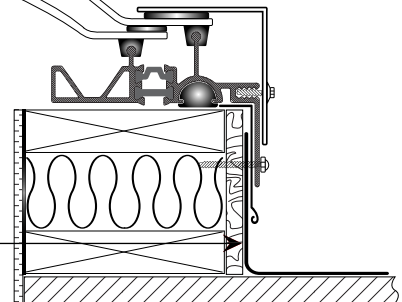


**Interior Finish (By Others)**

**Insulated wood curb, ice and water membrane and sheet metal flashing (By Others)**

**Maximum Curb Size, See attached notes.**

**Double Domes**



**SKY-TECH SKY-LIGHTS**

**Do Not Scale**



\*Prior to construction, check with all local building authorities and check building codes for compliance.