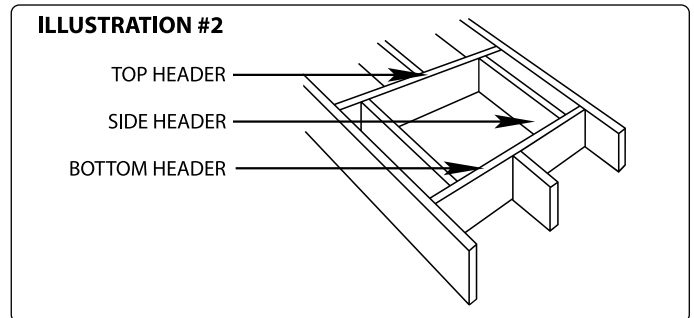
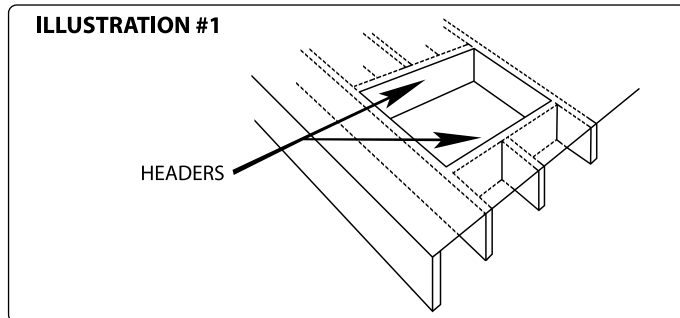


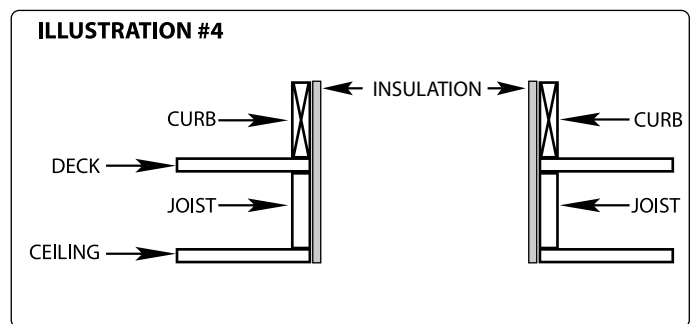
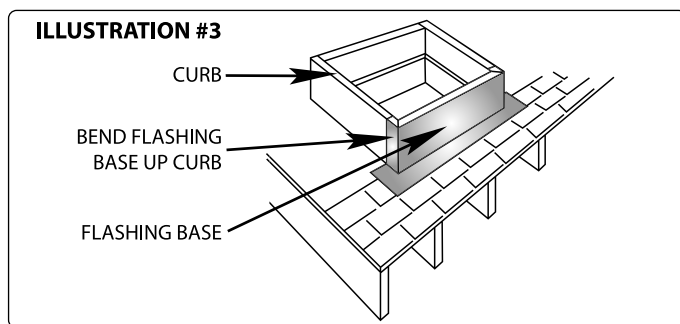
### STEP ONE

Decide on location of Skylight. Cut opening and nail on headers at top and bottom to support the cut joist. When the opening is to be less than the width between joists add headers at either side as illustrated in #2.



### STEP TWO

Install curb on deck and shingle up to the curb (on older homes remove shingles down to bottom of curb). Put on flashing base over the shingles after putting a bead of roof gum around the bottom of the curb. The flashing base must be bent around the curb.



### STEP THREE

Install step flashing by first running a bead of sealant along the base and up the curb. This bead should be thick enough to take up the uneven space between the base and the overlapped step flashing. Overlap the step flashing so it comes down past the bottom edge of the curb and nail to the curb as close to the top as possible. Take the next course of shingles over the step flashing after first liberally step flashing up to the leading edge of curb.

