

# SKY-TECH™

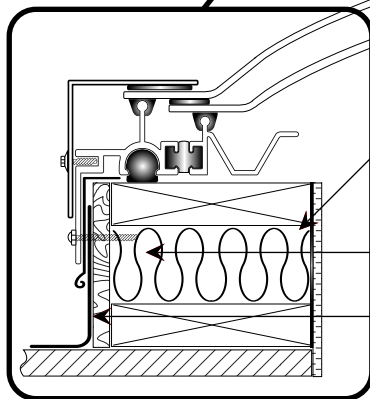
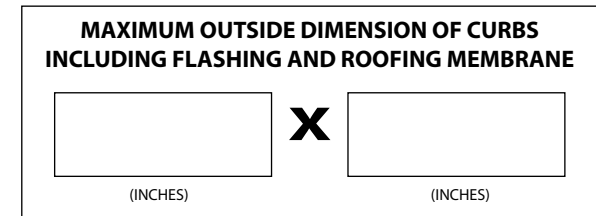
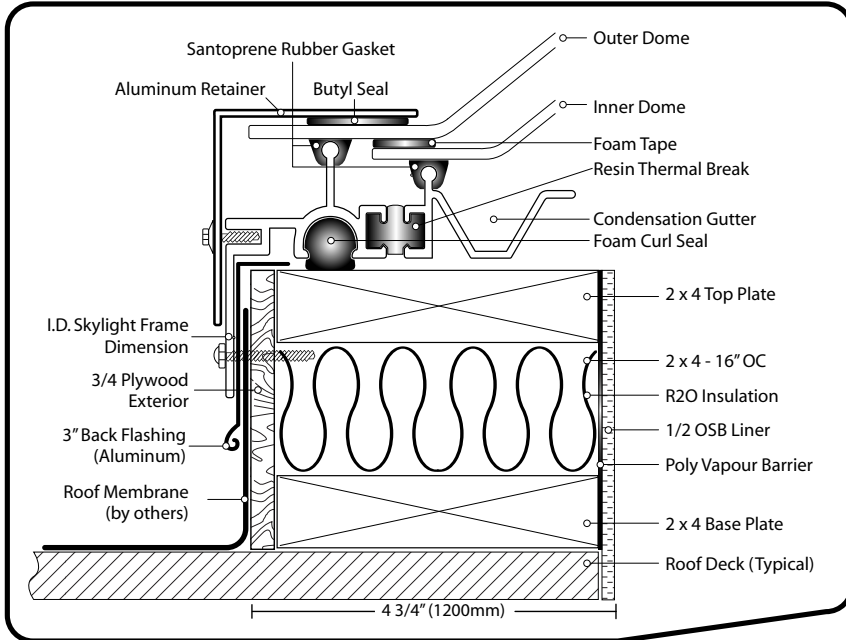
MANUFACTURE OF  
**SUNSCOPE™**  
Natural Light Systems

**S K Y - L I G H T S**

"PROUDLY CANADIAN"

11503 - 160 Street Edmonton, Alberta, Canada T5M 3V9 1.800.449.0644

## Standard 2 x 4 WALL CONSTRUCTION

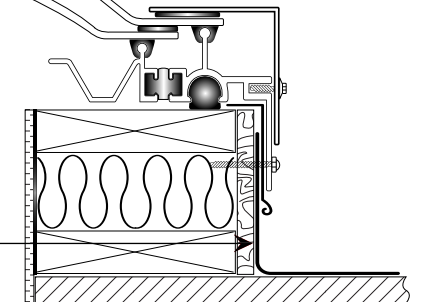


**Interior Finish (By Others)**

**Insulated wood curb, ice and water membrane and sheet metal flashing (By Others)**

**Maximum Curb Size, See attached notes.**

**Double Domes**



\*Prior to construction, check with all local building authorities and check building codes for compliance.

**SKY-TECH SKY-LIGHTS**  
Do Not Scale